

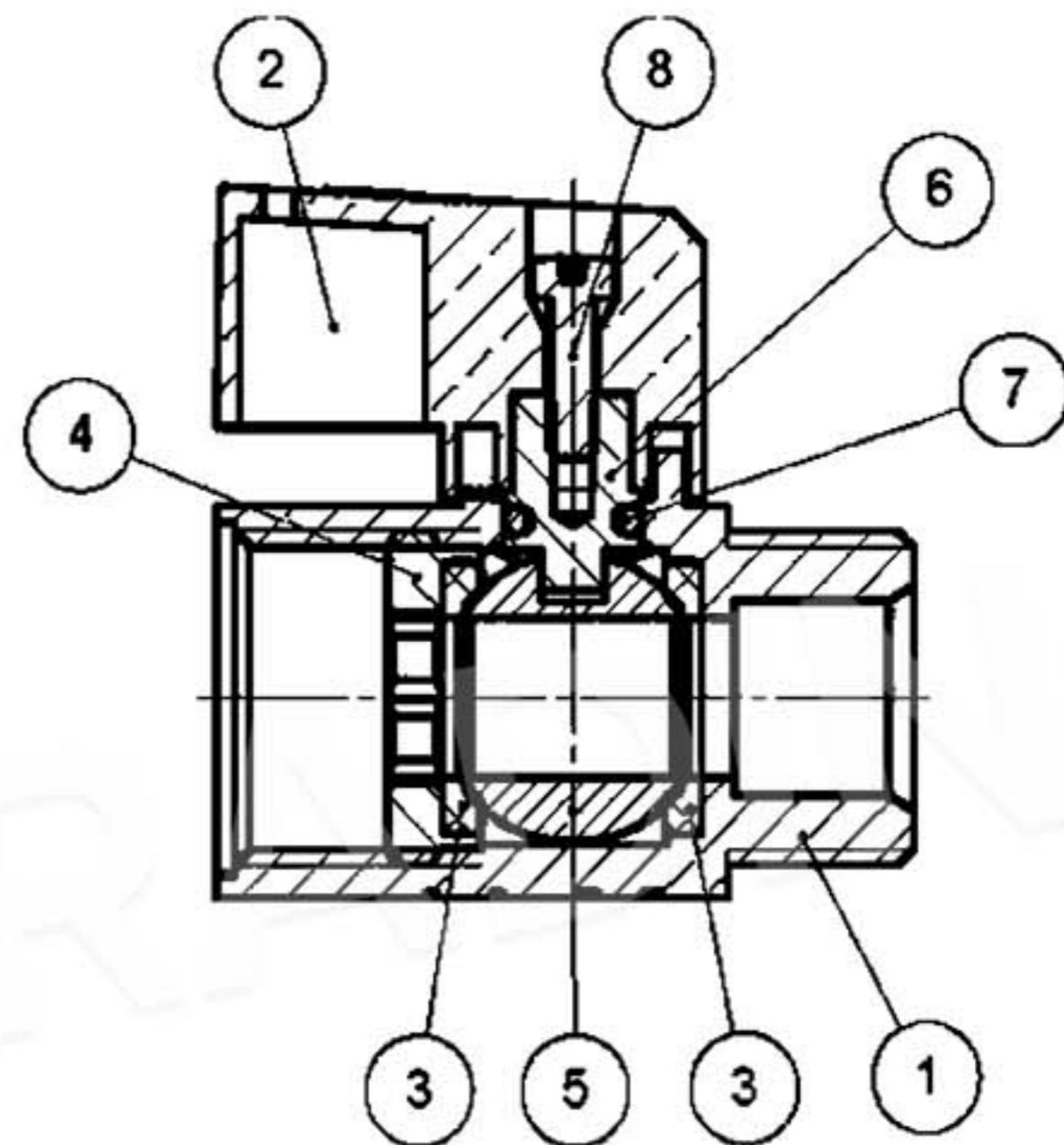
MINI BALL VALVE



CHROMED FORGED BRASS MINI BALL VALVE M/F

FEATURE AND APPLICATION

- ◆ Pipe Thread To ISO228
- ◆ Pressure Rating: 232 PSI (16 Bar)
- ◆ Applicable Medium : Water, Oil, Gas, Air
- ◆ Working Temperature: -10°C To 110°C
- ◆ Screwed end BSPT (M/F) Connection.
- ◆ Lever Handle Operation
- ◆ Size Range : 1/2"



Bill of Materials

Sequence	Description	Material	Sizes
1	Body	Brass	All
2	Handle	Aluminum	All
3	Ball seat	PTFE	All
4	Compression ring	Brass	All
5	Ball	Brass	All
6	Stem	Brass	All
7	O-RING	NBR	All
8	Screw	Steel	All

Dimensions

mm

DN	INCH	L	H
15	1/2"	44	28

